



Bintelli

49cc Prime Parts List

Last Revision 9/28/16



Bintelli Scooters
620 Dobbin Road
Charleston, SC 29414
(843) 531-6833 Phone
(843) 556-4080 Fax
www.BintelliScooters.com

Prime 49cc - #1

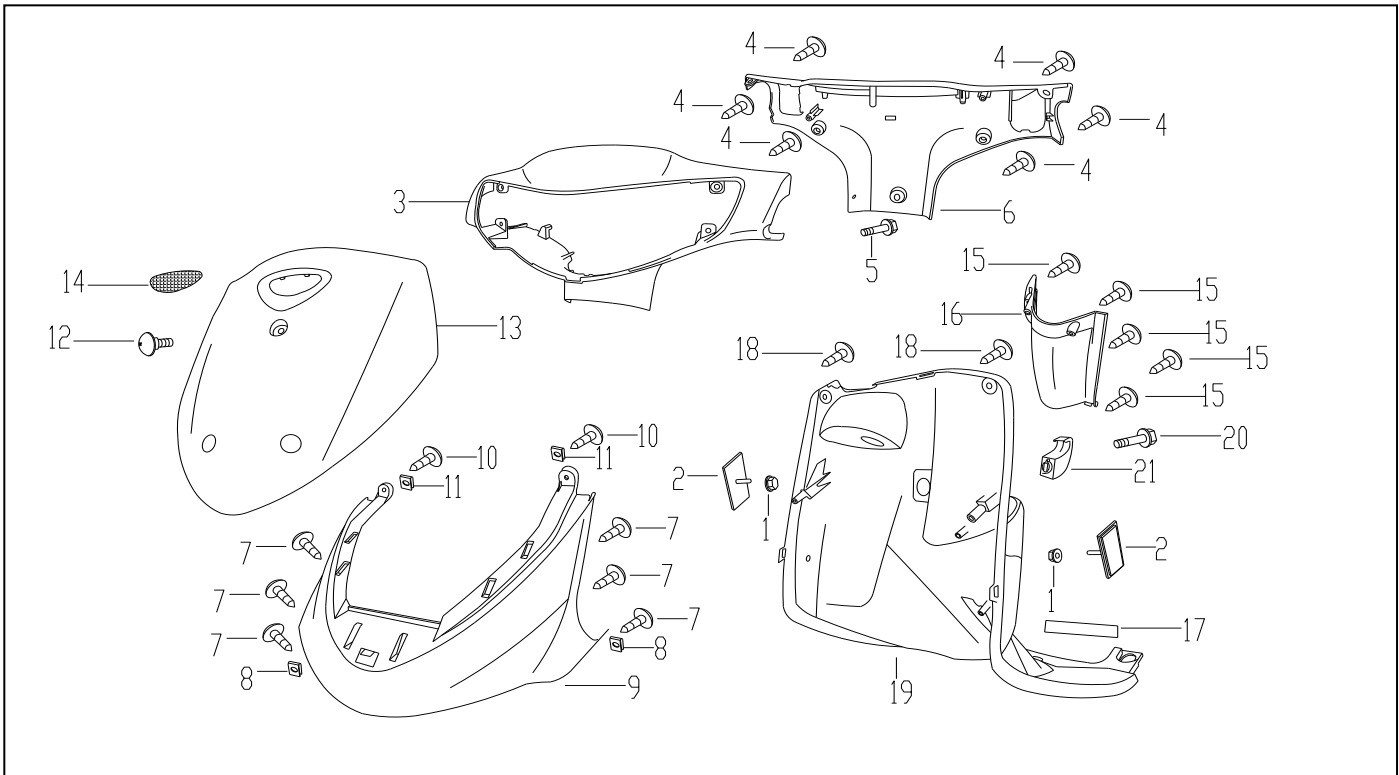


Diagram Number	Part Number	Description	Qty
1	95201-06000-03	NUT M6	2
2	33741-QG-9000	SIDE REFLECTOR	2
3	53206-QG-9000	HEADLIGHT SHELL	1
4	93401-48013-03	SELF TAPPING SCREWS ST4.8 * 13	4
5	93201-06016-03	CROSS RECESSED PAN HEAD, M6 * 16	1
6	53205-QG-9000	INSTRUMENT SHELL	1
7	93401-42013-03	SELF TAPPING SCREWS ST4.2 * 13	6
8	90601-F8-9000	NUT CLAMP ST4.2	2
9	64302-QG-9000	FRONT PROTECTING FRAME	2
10	93401-42013-03	SELF TAPPING SCREWS ST4.2 * 13	2
12	92701-06016-03	SPHERICAL CYLINDER HEAD SCREWS M6 * 16	1
22	43434-F8-9000	RUBBER PAD	1
23	95801-06000-03	FLAT PAD M6	1
13	64301-QG-9000	THE FRONT PANEL	1
14	64311-QG-9000	VENTILATION GRATE	1
15	93401-42013-03	SELF TAPPING SCREWS ST4.2 * 13	5
16	64308-QG-9000	THE FILE BOX	1
17	81142-QG-9000	NUMBER COVER	1
18	93401-42016-03	SELF TAPPING SCREWS ST4.2 * 16	2
19	64304-QG-9000	THE FRONT COVER	1
20	92101-06016-03	BOLT M6 * 16	1
21	83760-QG-9000	HELMET HOOK	1

Prime 49cc - #2

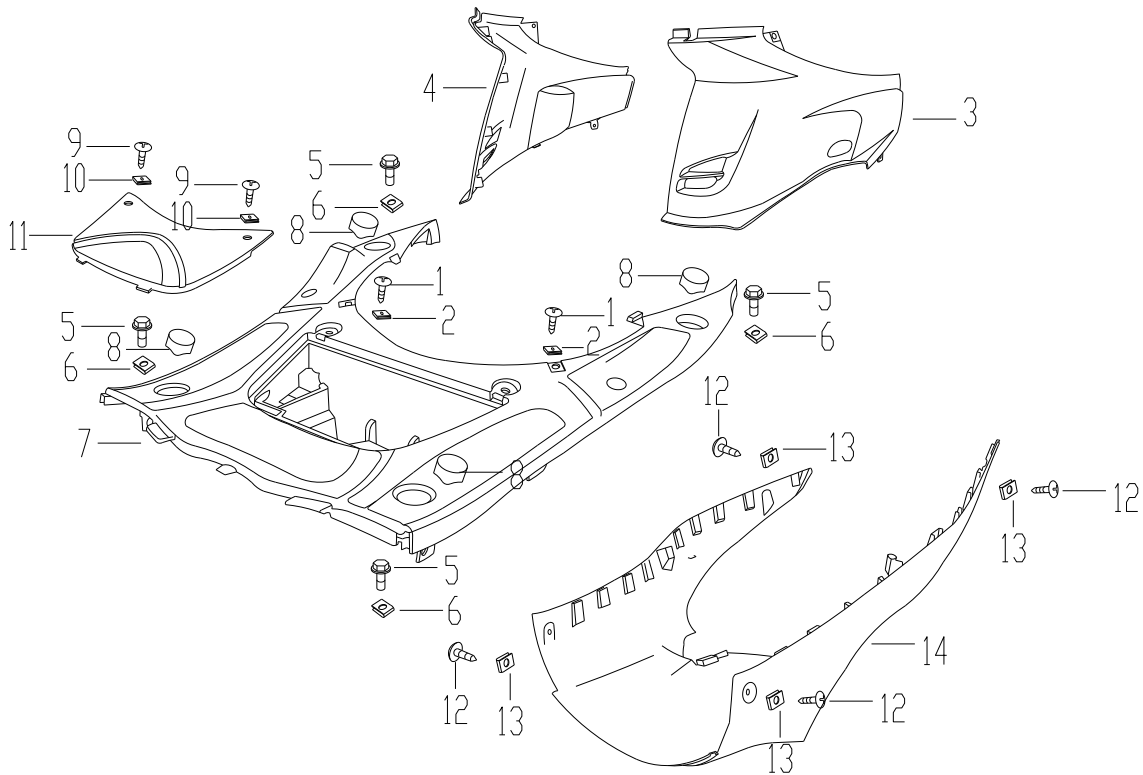


Diagram Number	Part Number	Description	Qty
1	93401-48016-03	SELF TAPPING SCREWS 4.8 X 16	2
2	90601-F8-9000	NUT CLAMP ST4.2	2
3	93401-42013-03	SELF TAPPING SCREWS 4.2 X 13	4
3	83762-QG-9000	LEFT COVER	1
4	83761-QG-9000	RIGHT GUARD	1
5	93001-06016-03	AXIAL BOLT M6 * 16	4
6	90601-F8-9000	NUT CLAMP ST4.2	4
7	64310-QG-9000	PEDAL	1
8	64306-QG-9000	PEDAL BOARD WATERPROOF RUBBER SLEEVE	4
9	93401-42013-03	SELF TAPPING SCREWS 4.2 X 13	2
10	90601-F8-9000	NUT CLAMP ST4.2	2
11	50326-QG-9000	THE BATTERY BOX COVER	1
12	93401-42016-03	SELF TAPPING SCREWS 4.2X16	4
13	90601-F8-9000	SELF TAPPING CLIP, ST4.2	4
14	50613-QG-9000	FRAME FENDER	1

Prime 49cc - #3

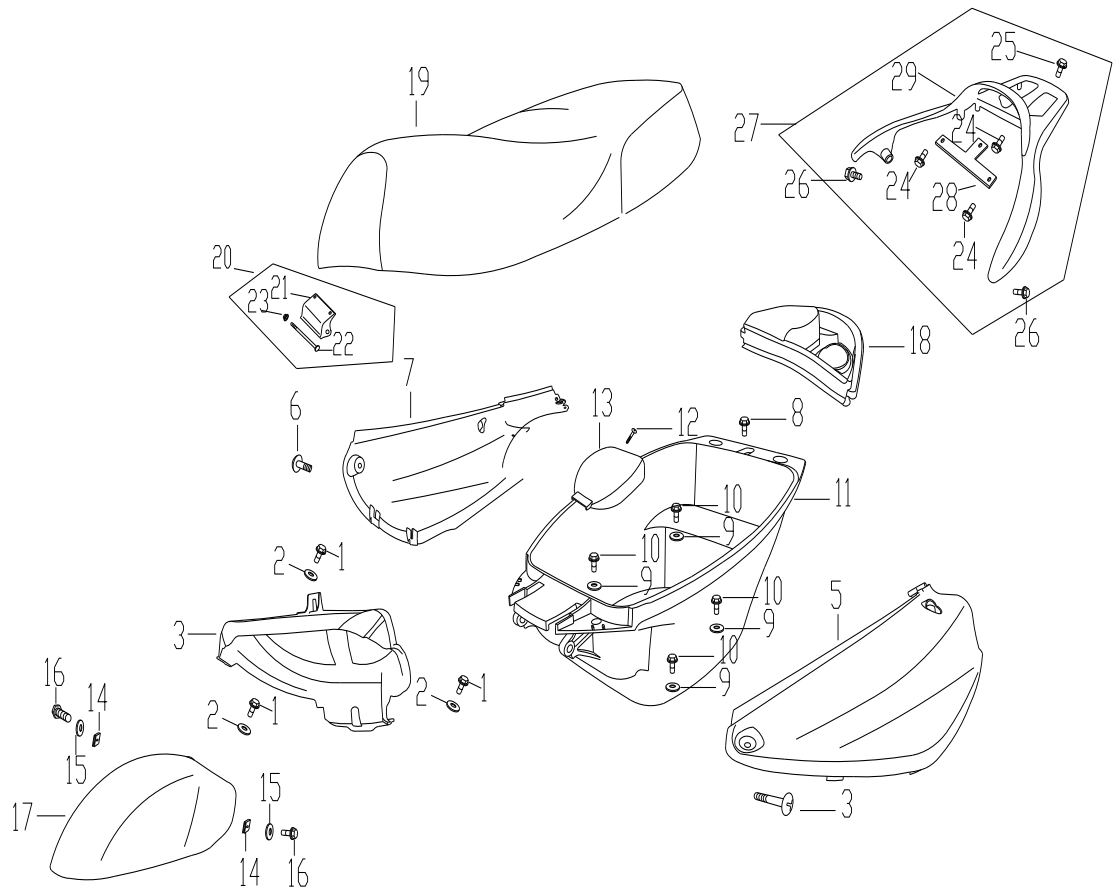


Diagram Number	Part Number	Description	Qty
1	92101-06012-03	BOLT M6 * 12	2
2	95801-06000-03	WASHER 6	2
3	61101-QG-9000	FRONT MUDGUARD	1
4	93401-48016-03	SELF TAPPING SCREWS ST4.8 * 16	1
5	83600-QG-9000	ZUO CEGAI	1
6	93401-48016-03	SELF TAPPING SCREWS ST4.8 * 16	1
7	83500-QG-9000	SIDE COVER	1
9	95801-06000-03	WASHER 6	4
10	92101-06020-03	BOLT M6 * 20	4
11	81250-QG-9000	THE STORAGE BOX	1
12	92701-06016-03	CROSS SMALL FLAT HEAD M6 * 16, ARMY GREEN	1
13	81253-QG-9000	THE GLOVE BOX BOTTOM COVER	1
16	92101-06012-03	BOLT M6 * 12	3
17	61100-QG-9000	FRONT MUDGUARD	1
18	17550-QG-9000	THE TANK PLATE	1

Prime 49cc - #3 Cont'd

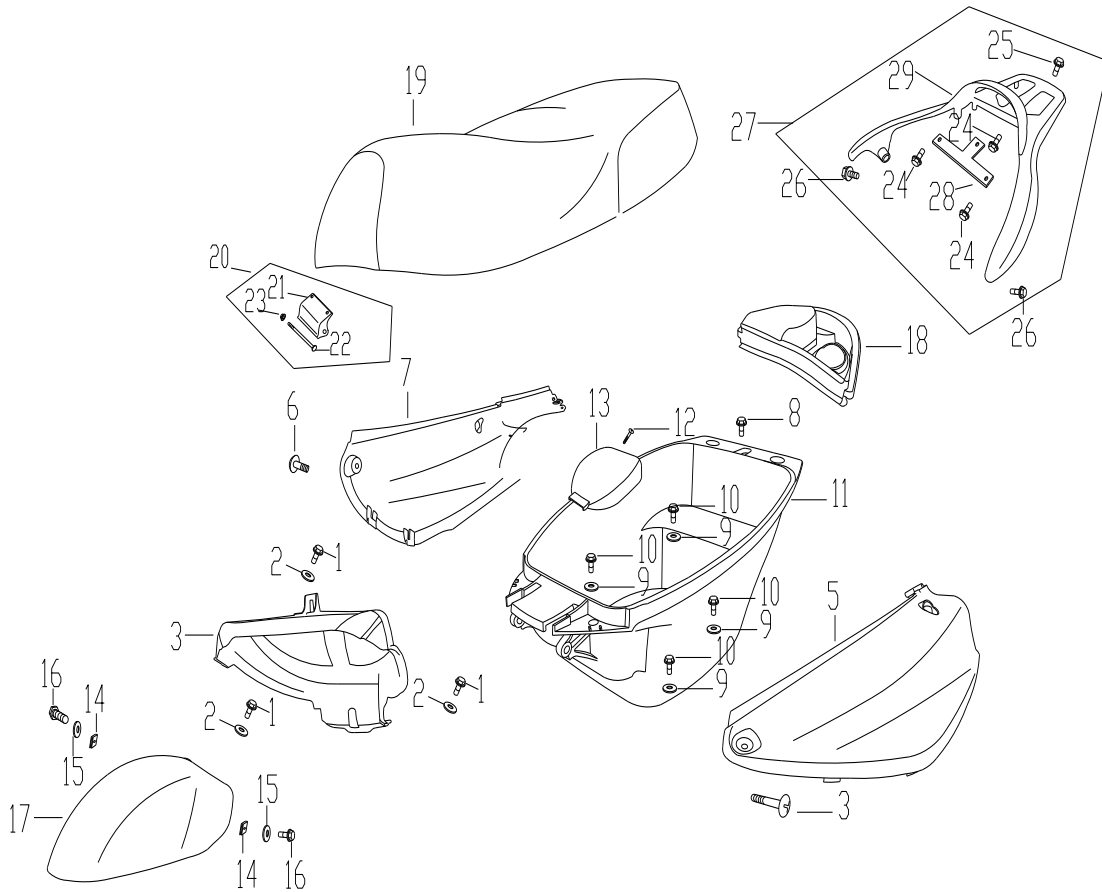


Diagram Number	Part Number	Description	Qty
19	77200-QG-9000-US03	THE CUSHION MEMBER	1
20	77201-QG-9000	THE CUSHION HINGE PARTS	1
21	77201-QG-9000	A HINGE PLATE	1
22	77202-QG-9000	THE CONNECTING SHAFT	1
23	97001-15200	THE COTTER PIN 1.5 X 20	1
24	92101-06012-03	BOLT M6 * 12	3
27	8120A-QG-9000	AFTER THE SHELF COMBINATION	1
25	92201-08025-03	THE SIX FLANGE BOLTS M8 * 25, IRIDESCENT PASSIVATION FOR ZINC COATINGS	1
26	92201-08035-03	THE SIX FLANGE BOLTS M8 * 35, IRIDESCENT PASSIVATION FOR ZINC COATINGS	2
28	81204-QG-9000	REAR RACK MOUNTING BRACKET	1
29	81200-QG-9000	AFTER THE SHELF	1

Prime 49cc - #4

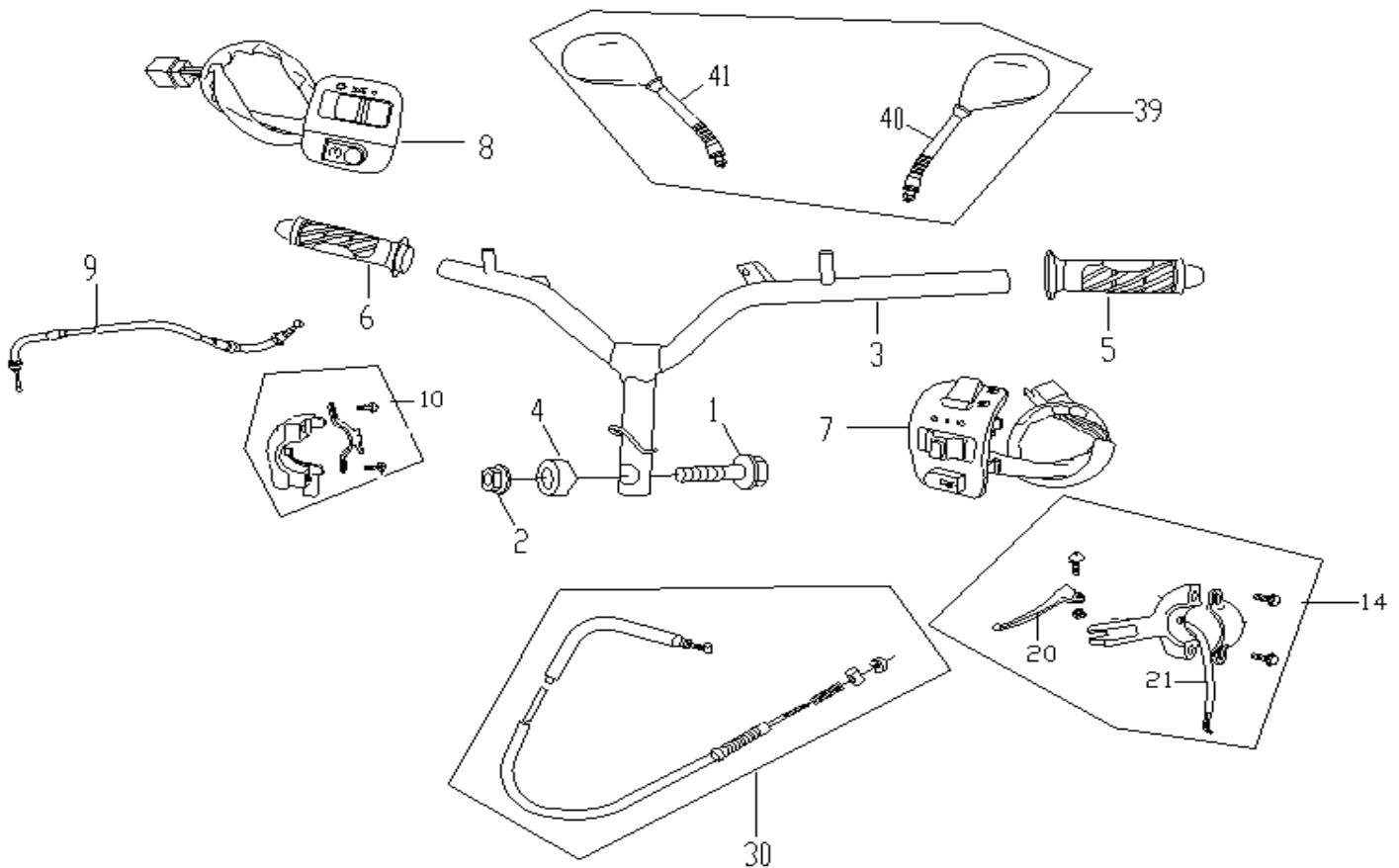


Diagram Number	Part Number	Description	Qty
1	92201-10050-03	BOLT M10 * 50	1
2	95401-10000-03	NUT M10	1
3	53100-QG-9000	HANDLE COMBINED WELDED TUBE	1
4	53125-F8-9000	THE HANDLE PIPE SPECIAL LINER	1
5	53166-QG-9000	LEFT MY GLOVES	1
6	53140-QG-9000	GAS HEATER PARTS	1
7	3520A-FY-A000	LEFT COMBINATION SWITCH	1
8	3515A-FY-A000	THE RIGHT COMBINATION SWITCH	1
9	17910-QG-9000-JL	THE ACCELERATOR LINE COMBINATION	1
10	53168-LY-9000	GAS HOLDER COMPONENTS	1
14	5317B-XSG-9100	LEFT BRAKE COMBINATION	1
20	53175-CRS-9000	REAR BRAKE HANDLE	1
21	35340-QG-9000	THE BACK BRAKE SIGNAL SWITCH	1
30	43450-QG-9000	THE REAR BRAKE CABLE COMPONENTS	1
39	88120/88110-KY-A000	REARVIEW MIRROR ASSEMBLY	1
42	93201-05012-03	CROSS RECESSED PAN HEAD SCREW M5 * 12	1

Prime 49cc - #5

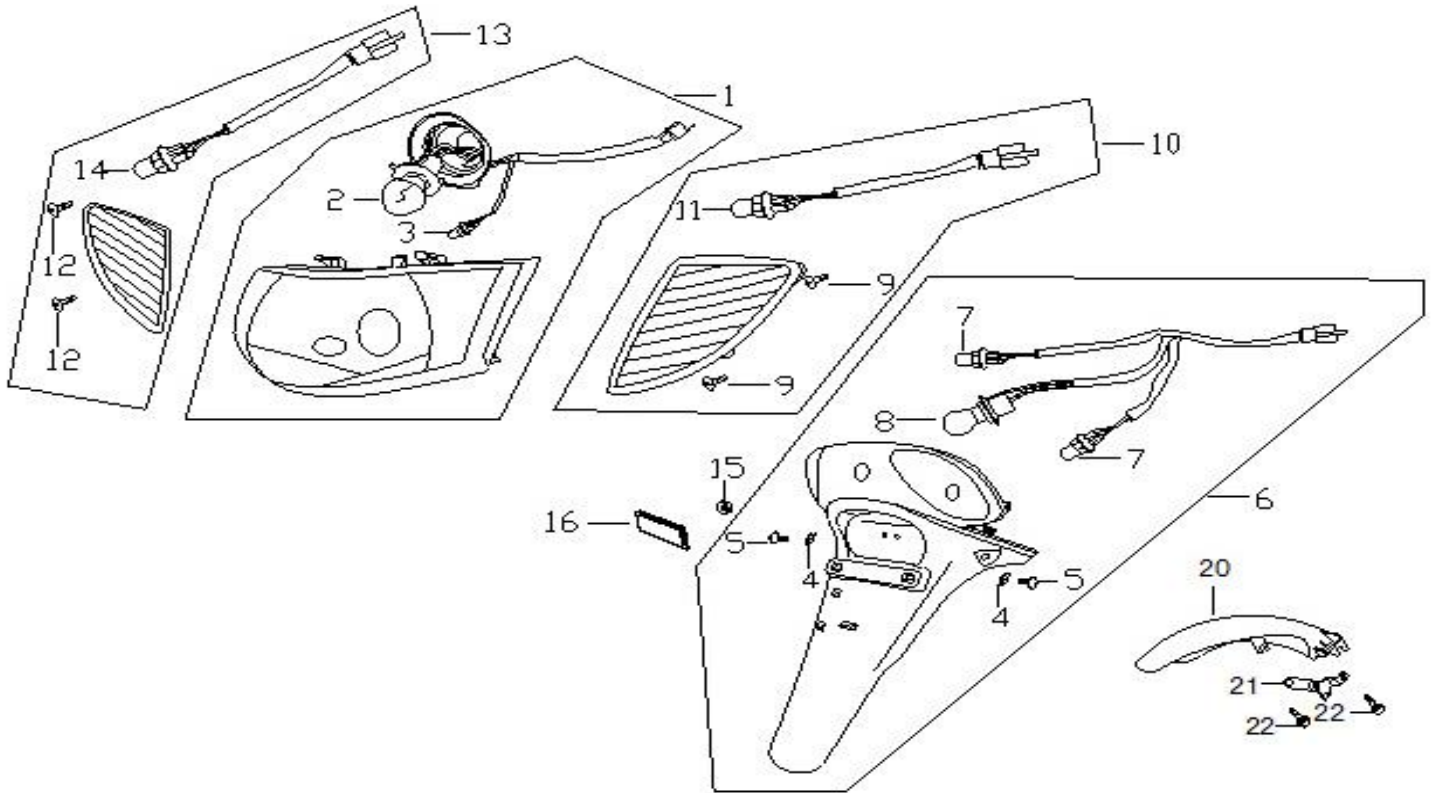


Diagram Number	Part Number	Description	Qty
1	33100-QG2-A000	THE HEADLIGHT PARTS	1
2	34901-F8-9000	THE HEADLIGHT BULB (12V/25W/25W)	1
3	34903-F8-9000	POSITION LAMP (12V/5W)	1
4	90601-F8-9000	NUT CLAMP ST4.2	2
5	92701-06016-03	SPHERICAL CYLINDER HEAD SCREWS M6 * 16	2
6	33700-QG2-A000	REAR TAILLIGHT PARTS (WITH FENDER)	1
7	34905-F8-9000	REAR STEERING LAMP BULB (12V/10W)	2
8	34960-F8-9000	AFTER THE TAILLIGHTS LIGHTING (12V/21W/5W)	1
9	93401-42013-03	SELF TAPPING SCREWS ST4.2 * 13	2
10	33450-QG2-A000	LEFT FRONT STEERING LAMP PARTS	1
11	34905-F8-9000	STEERING LAMP (12V/10W)	1
12	93401-42013-03	SELF TAPPING SCREWS ST4.2 * 13	2
13	33400-QG2-A000	THE FRONT RIGHT STEERING LAMP COMPONENT	1
14	34905-F8-9000	STEERING LAMP (12V/10W)	1
15	95201-06000-03	NUT M6	1
16	33751-F8-9000	THE BACK REFLECTOR	1
20	33700-QG2-A000	SMALL REAR WHEEL FENDER	1
21	80109-QG-9000	REAR GUARD THE RIGHT SUPPORT	1
22	92101-06016-03	BOLT M6 * 16	1
23	95201-06000-03	NUT M6	1

Prime 49cc - #6

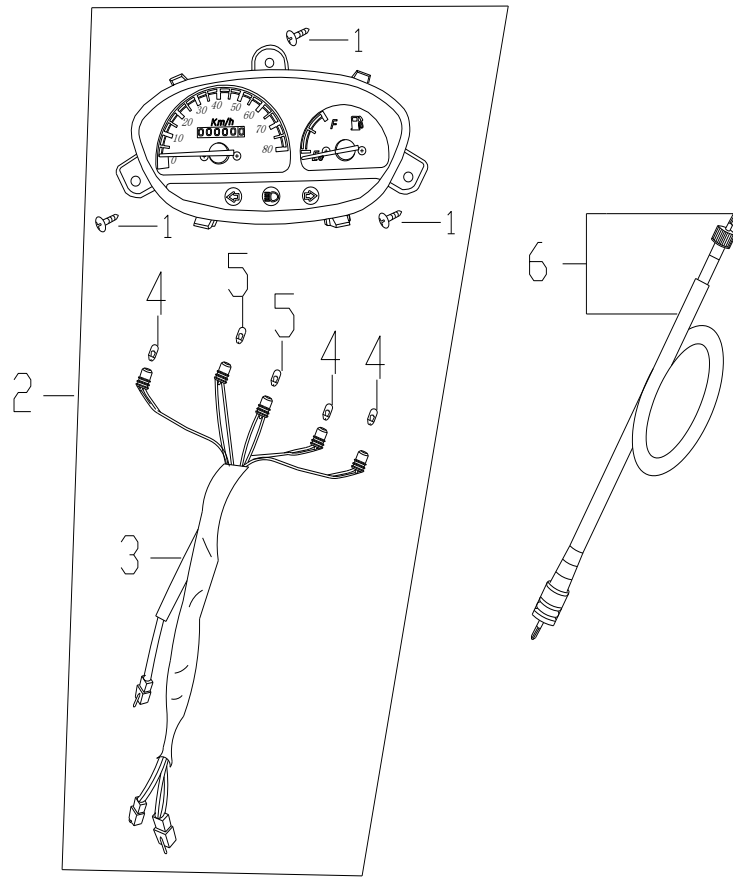


Diagram Number	Part Number	Description	Qty
1	93401-42013-03	SELF TAPPING SCREWS ST4.2 * 13	3
2	37200-QG-A100-US03	COMBINATION INSTRUMENT COMPONENTS	1
3	37224-QG-9000	INSTRUMENT CABLE COMBINATION	1
4	34909-F8-9000	INSTRUMENT LIGHTING LIGHTING (12V/2W)	3
5	34908-F8-9000	STEERING INDICATING LAMP BULB (12V/3W)	2
6	44830-QG-9000	THE ODOMETER FLEXIBLE SHAFT PARTS	1

Prime 49cc - #7

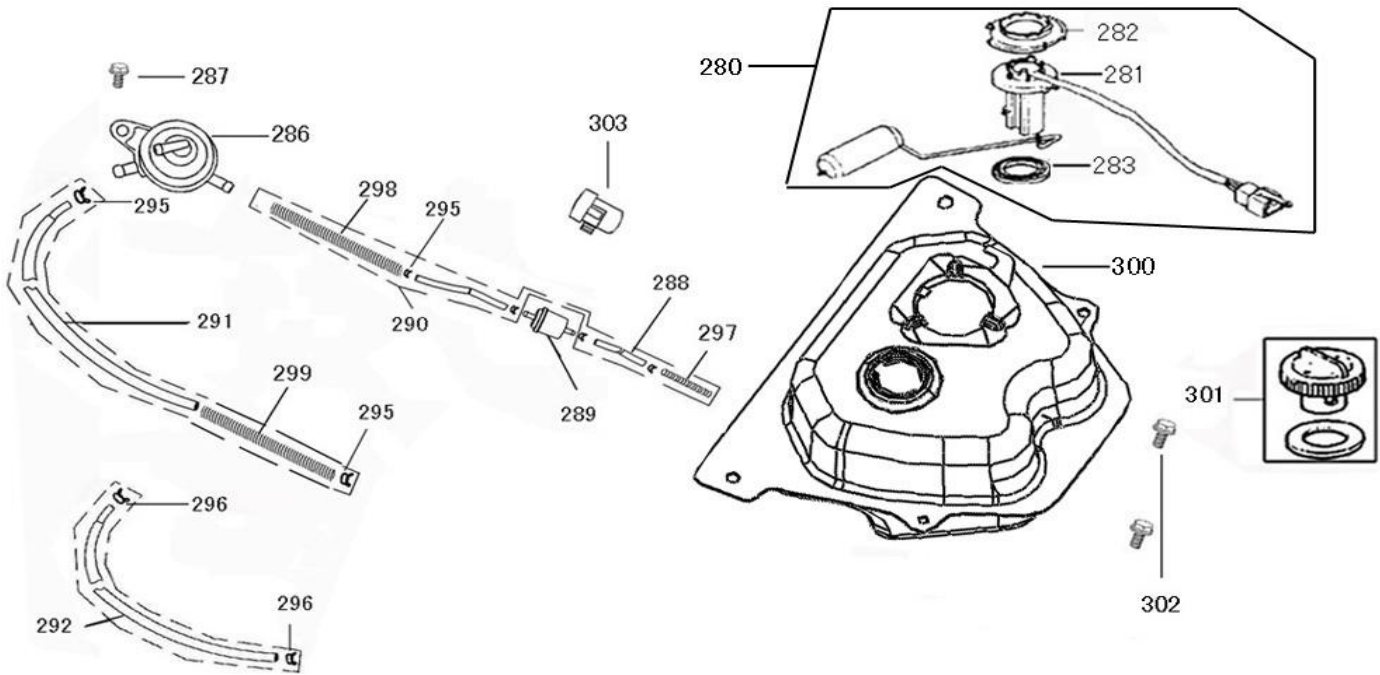


Diagram Number	Part Number	Description	Qty
280	3780A-QG-9000	FUEL SENSOR PARTS	1
281	37800-QG-9000	FUEL SENSOR	1
282	37802-F8-9000	FUEL SENSOR LOCKING RING	1
283	37801-F8-9000	FUEL SENSOR SEAL RING	1
286	16950-XF-9000	OIL SWITCH COMBINATION	1
287	92101-06016-03	BOLT M6 * 16	1
288	1768A-QG-9000	FILTER OIL INLET PIPE	1
289	16910-F8-9000	FILTER COMBINATION	1
290	1768C-QG-9000	THE FILTER OUTLET PIPE	1
291	1768D-QG-9000	OIL SWITCH OIL OUTLET PIPE	1
292	18657-QG-8000	VACUUM TUBE PHI 3.5* PHI 7.5*300	1
295	19411-F8-9000	PIPE CLAMP SPRING	6
296	19414-F8-9000	THE NEGATIVE PRESSURE PIPE CLAMP SPRING	2
297	90016-XF-9000	FILTER OIL INLET SPRING 110MM	1
298	90016-F8-9000	THE FILTER OUTLET PIPE SPRING 200MM	1
299	90016-KY-9000	OIL SWITCH OIL OUTLET PIPE SPRING 280MM	1
300	17500-QG-9000	THE COMBINED FUEL TANK WELDING	1
301	17620-F8-9000	VACUUM TANK COVER, WITH A CHAIN	1
302	92101-06012-03	BOLT M6 * 12	2

Prime 49cc - #8

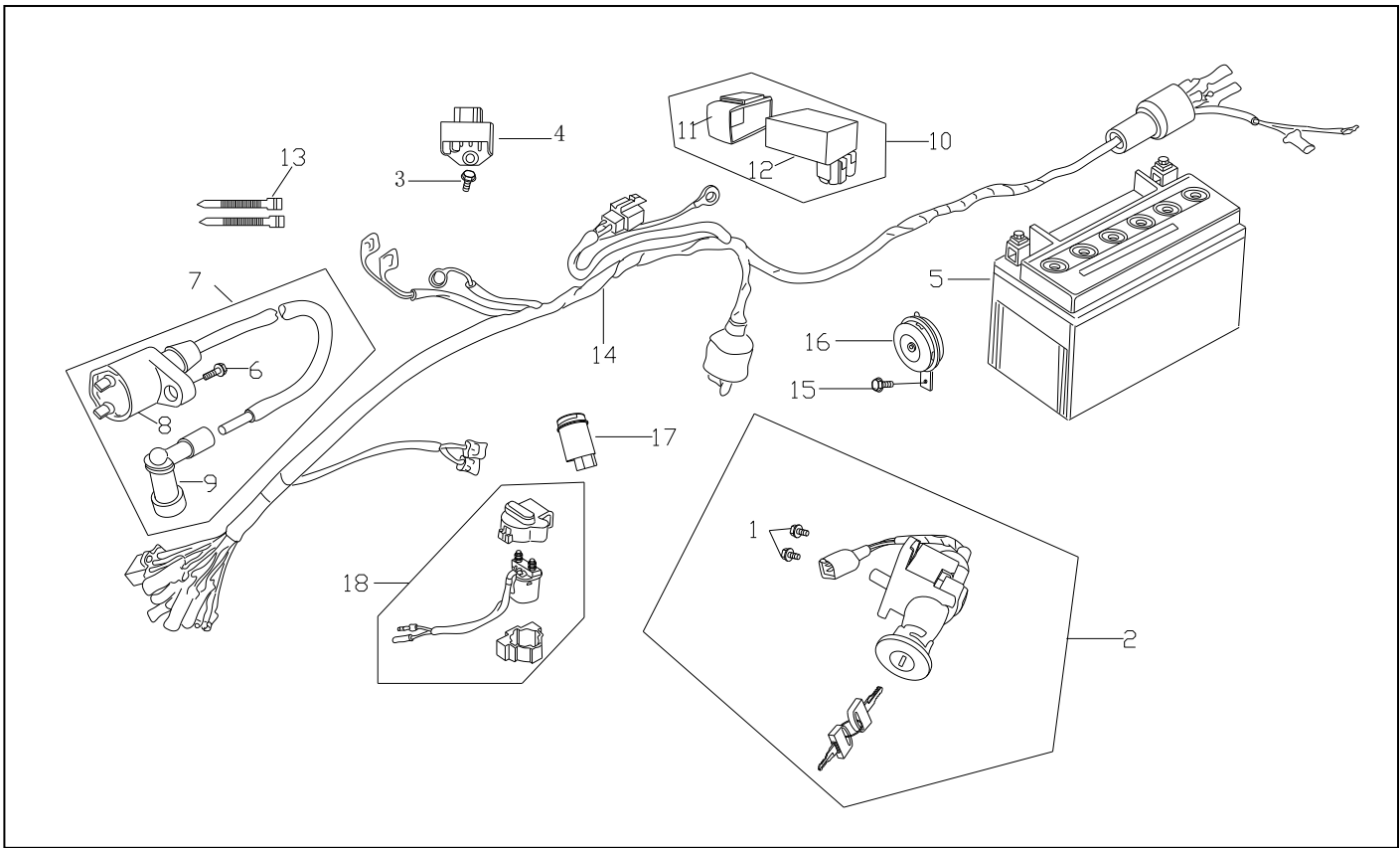


Diagram Number	Part Number	Description	Qty
1	92101-06020-03	BOLT M6 * 20	2
2	35010-QG-9000	LOCK SET	1
3	92101-06012-03	BOLT M6 * 12	2
4	31600-DGW-9100-D	THE PRESSURE REGULATING RECTIFIER COMBINATI	1
5	Motobatt	BATTERY	1
6	92101-06020-03	BOLT M6 * 20	1
7	3051A-DGW-9000-D	IGNITION COIL PARTS	1
8	30510-DGW-9000-A	IGNITION COIL	1
9	30511-DGW-9000-A	SPARK PLUG CAP	1
10	30410-DGW-9000-D	THE IGNITION CONTROLLER COMPONENTS	1
11	30412-GZ-9000-A	IGNITER RUBBER SLEEVE	1
12	30411-GZ-9000-A	CDI CONTROLLER COMPONENTS	1
13	90006-F8-9000	TIE (8 X 250)	8
14	33100-QG-A000	THE MAIN CABLE PARTS	1
15	92101-06012-03	BOLT M6 * 12	1
16	38110-XF-9000	HORN PARTS	1
17	38300-XF-9000	FLASHER COMBINATION	1
18	35850-DGW-9000-VT	START RELAY COMBINATION	1

Prime 49cc - #9

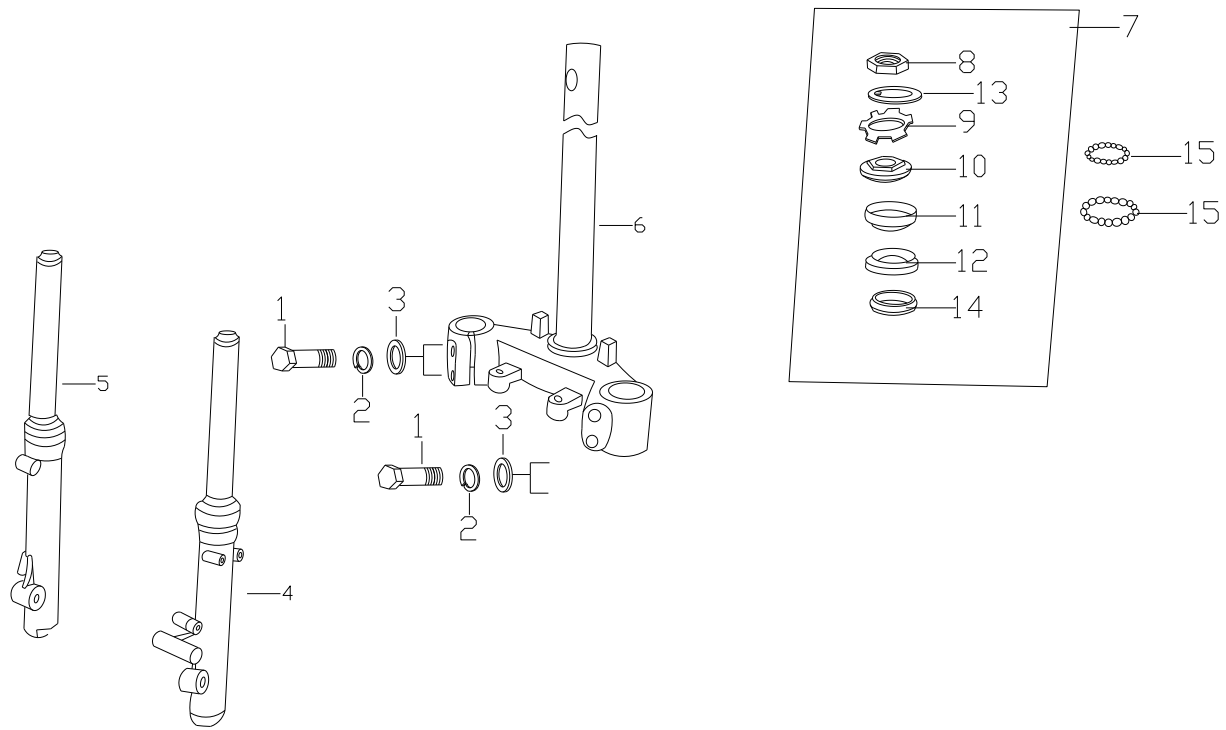


Diagram Number	Part Number	Description	Qty
1	92201-08040-03	BOLT M8 * 40	2
2	95801-08000-03	WASHER 8	2
3	95901-08000-03	THE SPRING WASHER 8	2
4	51500-QG-9000	LEFT FRONT SHOCK ABSORBER PARTS	1
5	51400-QG-9000-JL	RIGHT BEFORE THE SHOCK ABSORBER PARTS	1
6	53200-QG-9000	STEERING COLUMN WELDING COMBINATION	1
7	50300-B08-9000	FIVE BOWL	1
8	50302-B08-9000	THE LOWER STEERING BEARING OUTER RING	1
9	53211-B08-9000	THE UPPER STEERING BEARING INNER RING	1
10	50301-B08-9000	TURNING ON THE BEARING OUTER RING	1
11	53222-B08-9000	DUST COVER	1
12	53221-B08-9000	THE RETAINING NUT	1
13	50306-B08-9000	THE RETAINING NUT M25	1
14	53212-B08-9000	THE LOWER STEERING BEARING INNER RING	1
15	50300-B08-9000	ON THE COMBINATION OF STEEL BALL	1
15	50300-B08-9000	UNDER THE COMBINATION OF STEEL BALL	1
16	92101-06012-03	BOLT M6 * 12	1
17	45156-B08-9000	THE SOFT AXIS HOOK	1

Prime 49cc - #10

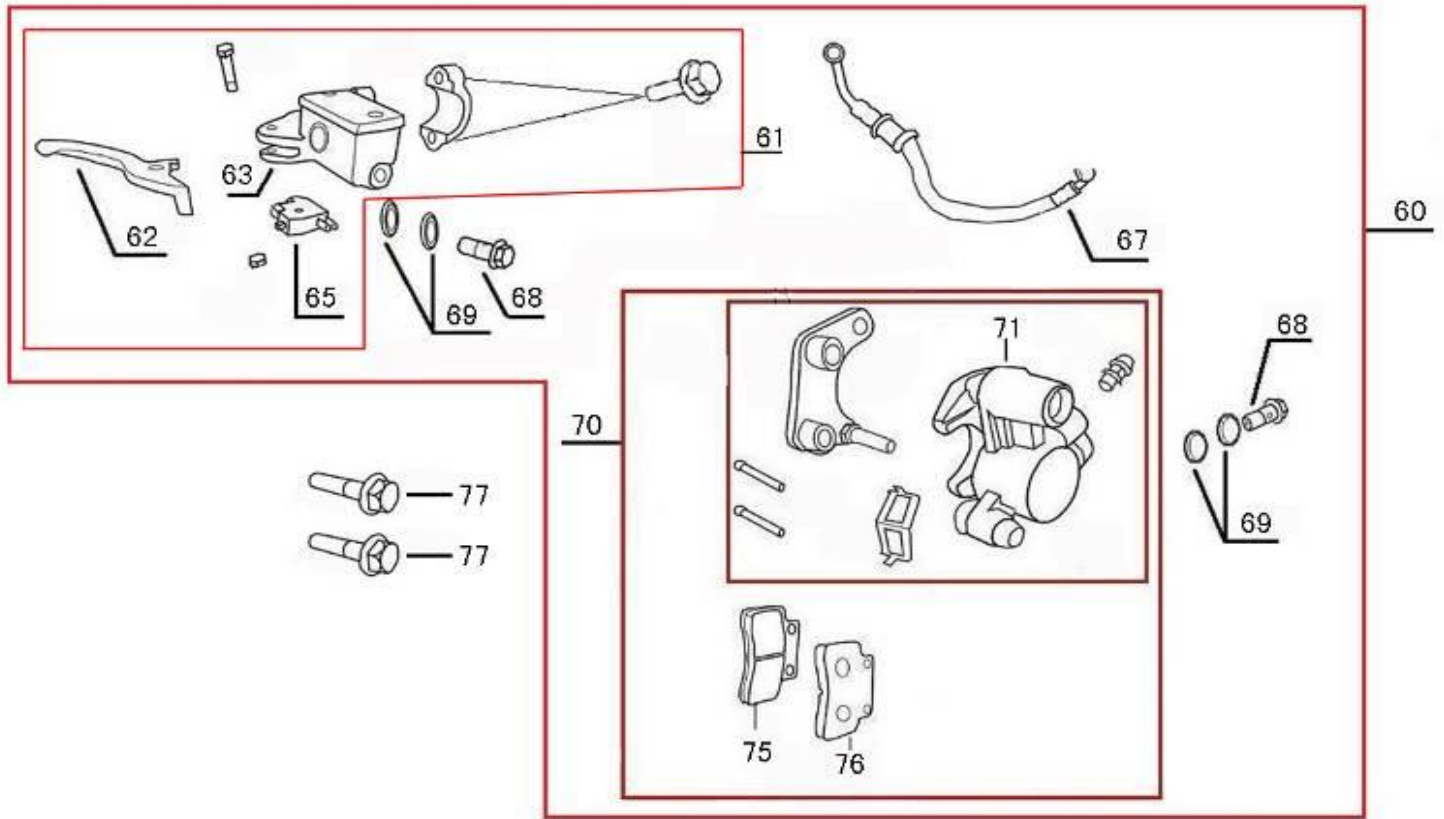


Diagram Number	Part Number	Description	Qty
60	4550A-QG-A000	SUB HARNESS SET FR M/C COMP	1
61	45500-KY-9000	SUB HARNESS SET FR M/C	1
62	53178-QG-9000	LEVER	1
63	45501-QG-9000	CRLINDER BODY	1
65	10099-F8-9000	SHUT-OFF BLOCK CONSTITUTE	1
67	45126-QG-A000	HOSE ASSY FR BRK	1
68	90145-F8-9000	OIL BOLT 10*22	2
69	95802-F8-9000	WASHER OIL BOLT	4
70	45200-QG-E000	CALIPER ASSY FR	1
71	45200-KY-E000	BODY CALIPER	1
75	45105-QG-E000	PAD COMP A	1
76	45106-QG-E000	PAD COMP B	1
77	92901-08040-03	BOLT FLANGE 8*40	2

Prime 49cc - #11

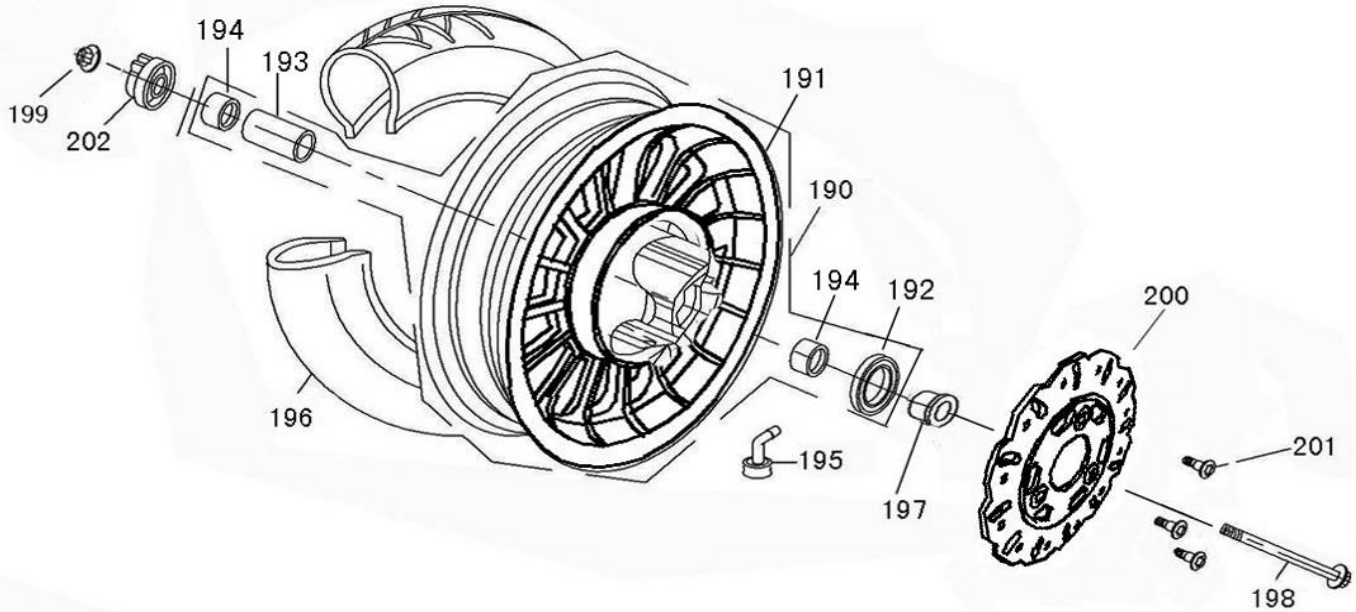


Diagram Number	Part Number	Description	Qty
190	44600-ALA1-9000	WHEEL SET FR MT2.15X10	1
191	44601-ALA1-9000	WHEEL FR CAST	1
192	91001-KY-9000	DUST SEAL 20*35*7	1
193	44620-KY-9000	COLLAR FR DIST	1
194	96002-63000	BEARING 6300-RS	2
195	42753-F8-9000-A/B/C/	VALVE(PVR-70)&CAP(E)	1
196	44710-DGW-9000-B	TIRE ASSY 3.50-10	1
197	44311-KY-9000	COLLAR FR WHEEL SIDE	1
198	44301-XGW-9000	AXLE FR WHEEL10*198	1
199	95501-10000-03	NUT U FLANGE 10MM (G)	1
200	45121-ALA1-E000	DISK FR BRAKE	1
201	93601-08025-02	BOLR DISK 8*25 (Cr)	3
202	44800-KY-9000	SPEEDO HUB	1

Prime 49cc - #12

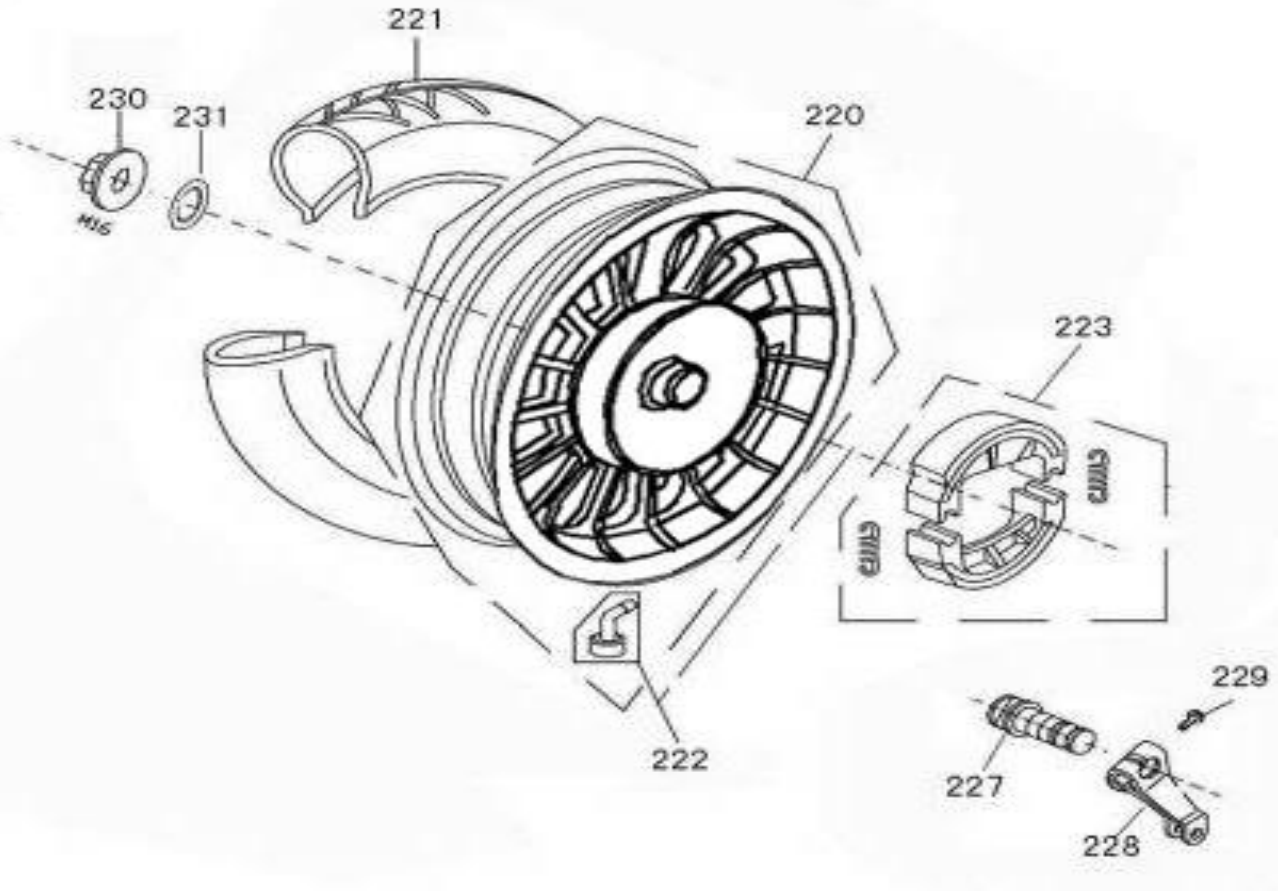


Diagram Number	Part Number	Description	Qty
220	42600-XGW-9200	WHEEL COMP RR CAST	1
221	44710-DGW-9000-B	TIRE ASSY 3.50-10	1
222	42753-F8-9000-B	VALVE(PVR-70)&CAP(E)	1
223	4312A-DGW-E000	SHOE SET BRAKE	1
Not Shown	43120-DGW-E000	SHOE COMP RR BRK	2
Not Shown	45133-DGW-9000	SPRING BRAKE SHOE	2
227	43141-DGW-9100	CAM RR BRK	1
228	43410-DGW-9100	ARM COMP RR BRAKE	1
229	92101-06032-03	BOLT FLANGER6*32	1
230	95501-16000-03	NUT U 16MM (G)	1
231	95901-16000-03	SPG CANSHER 16MM	1

Prime 49cc - #13

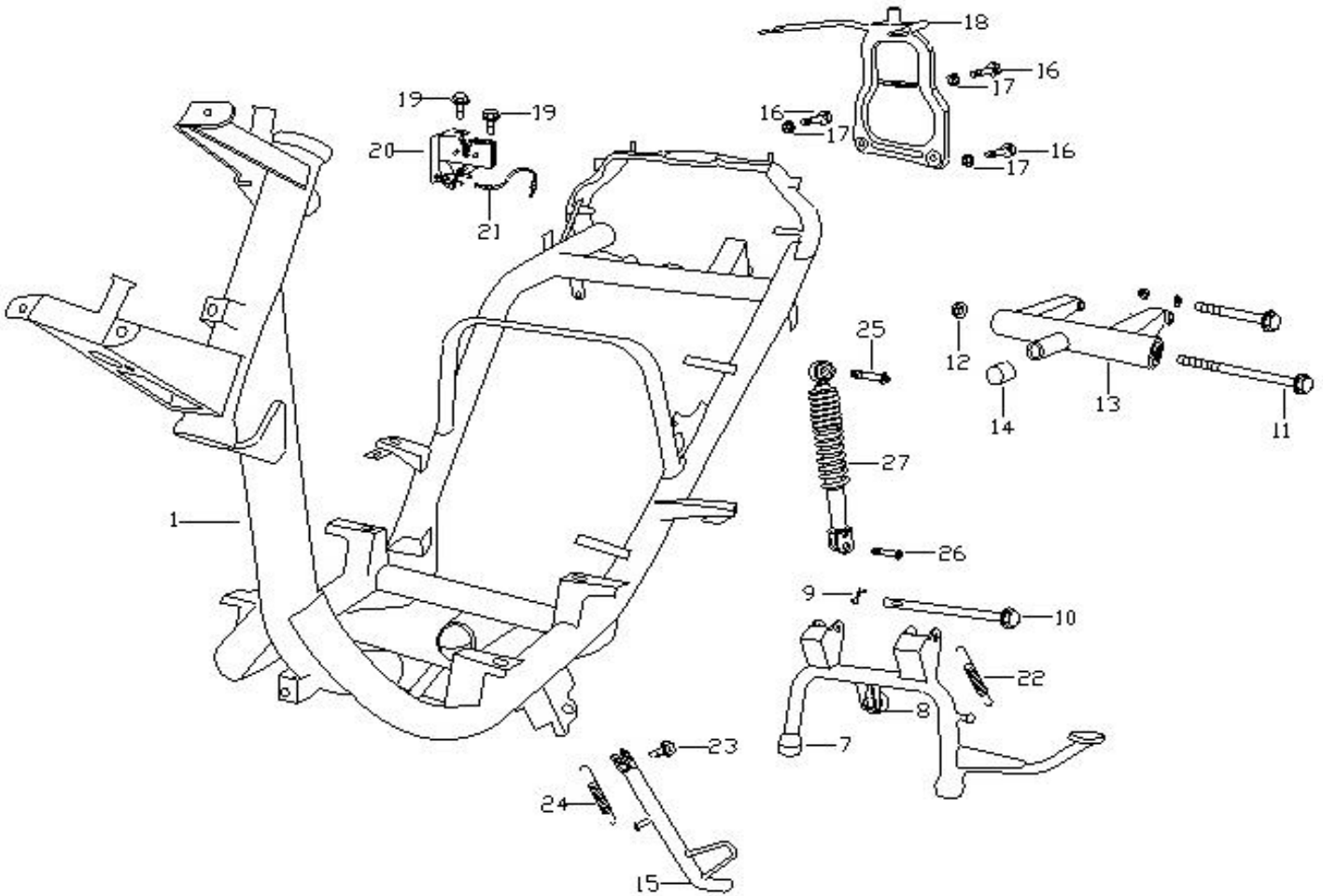


Diagram Number	Part Number	Description	Qty
1	50100-QG2-9200-M	WELDED FRAME COMBINATION	1
7	50500-QG-9300	THE MAIN FRAME MEMBER	1
8	50352-F8-9000	THE MAIN FRAME BUFFER PAD	1
9	97001-15200	THE COTTER PIN 1.5 X 20	1
10	50503-DGW-9000	THE MAIN SUPPORT PIN SHAFT WITH 8 * 170	1
Not Shown	50355-FA-9000	BOLT M10*225	1
Not Shown	95401-10000-03	NUT M10	1
Not Shown	50360-DGW-9000	HANGER SLEEVE 74MM	1
11	50355-DGW-9100	ENGINE HANGER BOLT 205MM	1
12	95401-10000-03	NUT M10	1
13	50350-QG-9000	HANGING WELDING COMBINATION	1
14	50353-KY-9000	HANGING CUSHION COVER	1
15	50530-QG-9000	COMBINED WELDING SIDE BRACKET	1
16	92101-06012-03	BOLT M6 * 12	3

Prime 49cc - #13 Cont'd

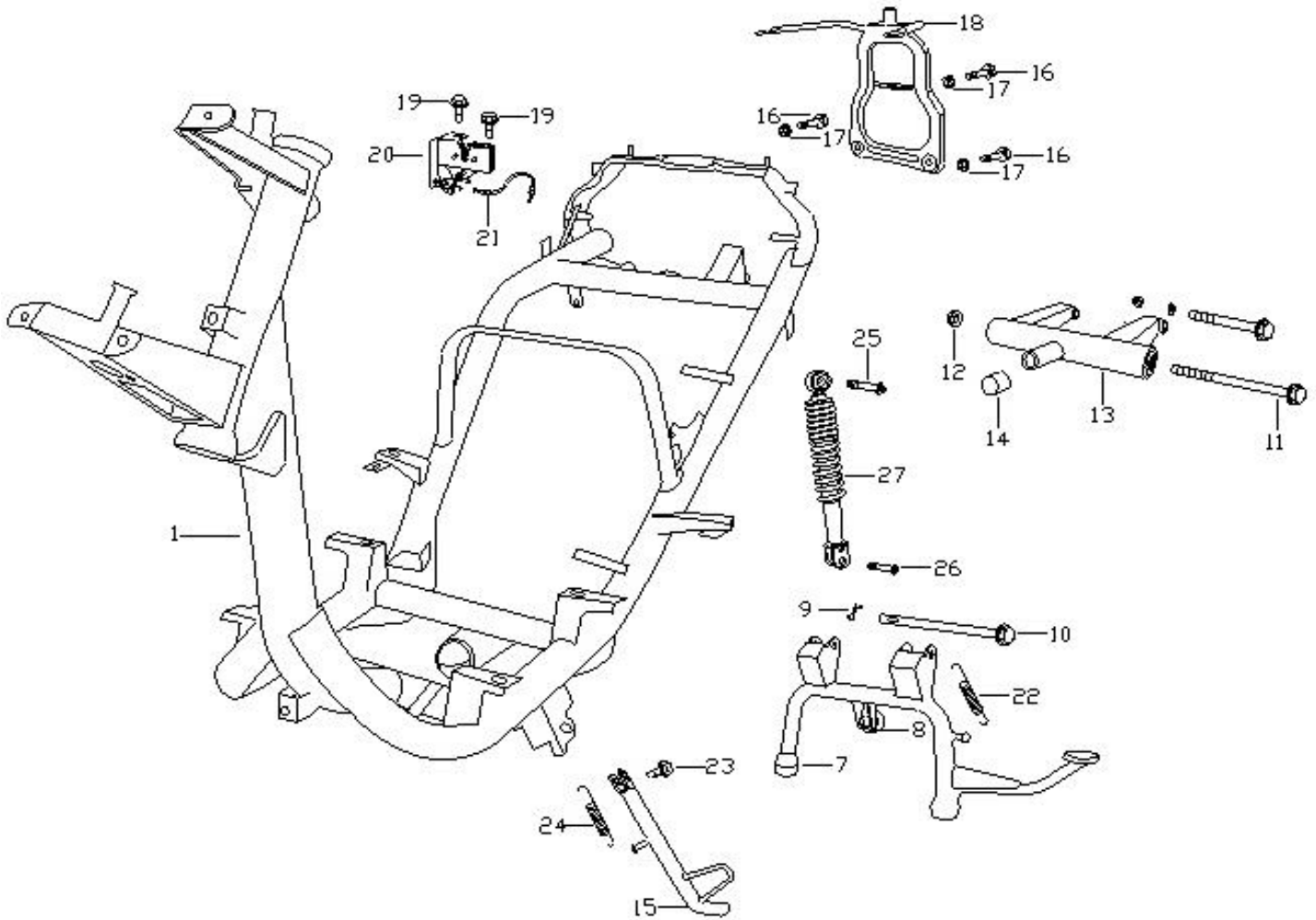


Diagram Number	Part Number	Description	Qty
17	95201-06000-03	NUT M6	3
18	81204-QG-9000	THE REAR BRACKET	1
19	92101-06012-03	BOLT M6 * 12	2
20	77235-QG-9000	THE SEAT CUSHION LOCK SEAT ASSEMBLY	1
21	77240-QG-9000	SEAT LOCK CABLE LINE	1
22	90014-F8-9000	THE MAIN BRACKET SPRING	1
23	90101-TW-9000	THE SIDE BRACKET BOLTS M10 * 25	1
24	90015-XGW-9000	THE SIDE BRACKET SPRING	1
25	92201-10040-03	BOLT M10 * 40	1
Not Shown	95401-10000-03	NUT M10	1
26	92201-08032-03	BOLT M8 * 32	1
27	52500-QG-9000	AFTER THE SHOCK ABSORBER PARTS (295)	1

Prime 49cc - #14

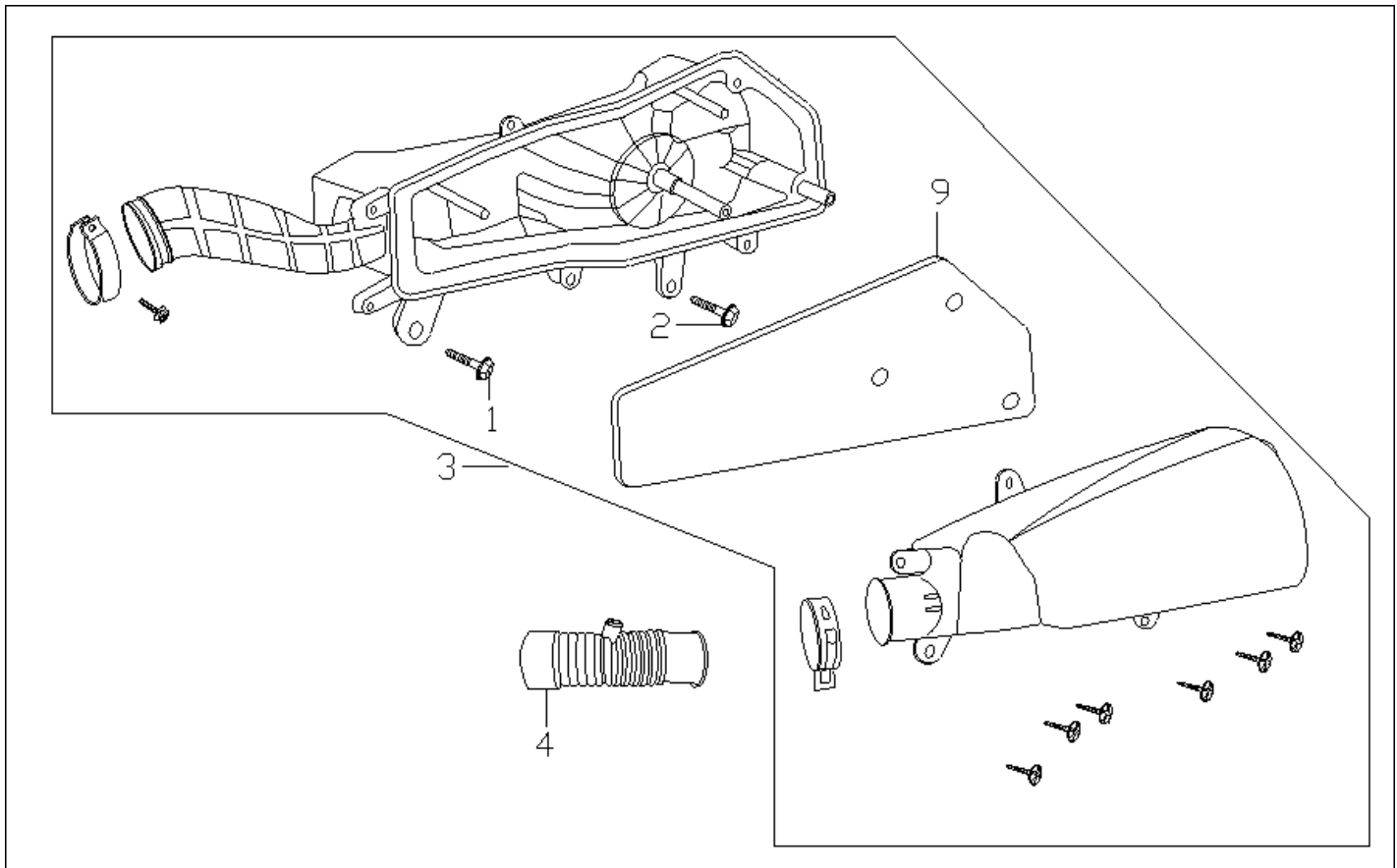


Diagram Number	Part Number	Description	Qty
1	92101-06025-03	BOLT M6 * 25	1
2	92101-06030-03	BOLT M6 * 30	1
3	17200-QG-9000	AIR CLEANER PARTS	1
4	1721A-QG-9000	AIR CLEANER DUCT	1
9	17211-QG-9000	FILTER FOAM	1

Prime 49cc - #15

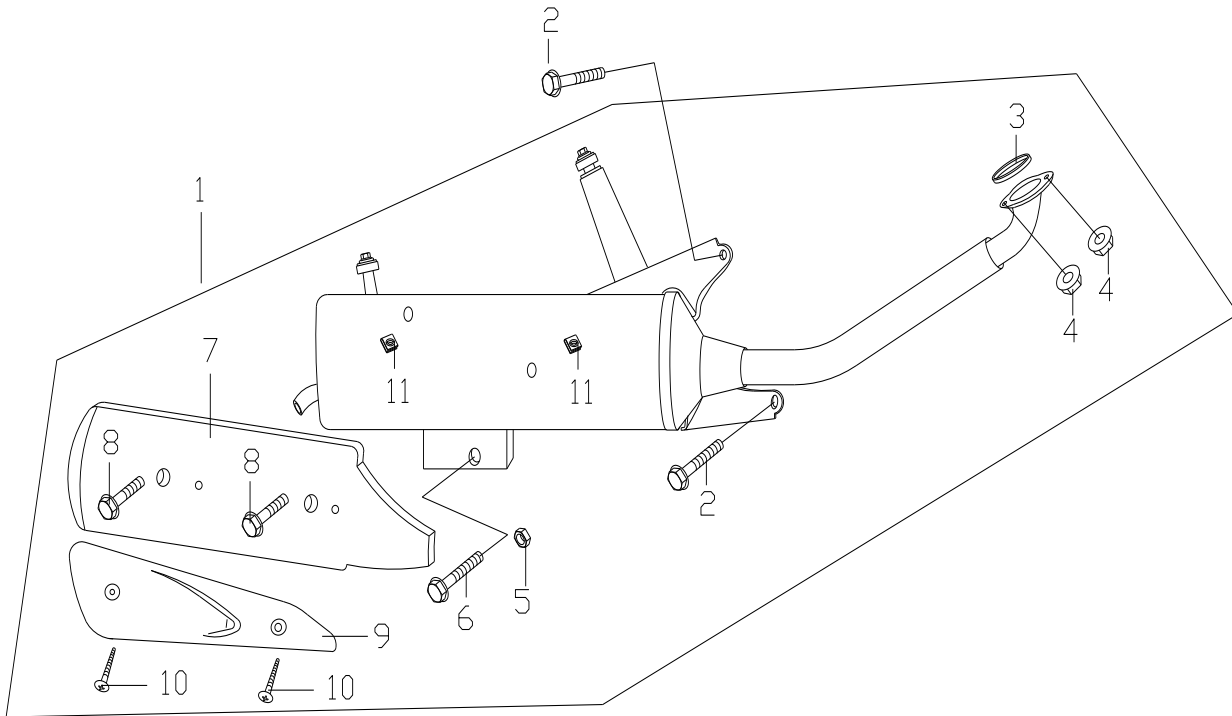


Diagram Number	Part Number	Description	Qty
1	1830A-QG-A000	EXHAUST MUFFLER COMPONENTS	1
2	92201-08055-03	BOLT M8 * 55	2
3	18291-F8-9000	MUFFLER SEAL RING	1
4	90201-F8-9000	CAP NUT FOR M6 * 32	2
5	18318-QG-9000	DECORATIVE COVER YAMAHA2	1
6	92702-06020-03	CROSS TRUSS HEAD M6 * 20	3
7	18292-QG-9000	INSULATION PAD	3
8	18294-QG-9000	BUSHING	3
9	18295-QG-9000	RUBBER PAD	3
10	95801-06000-03	FLAT PAD M6	3

Prime 49cc - #16

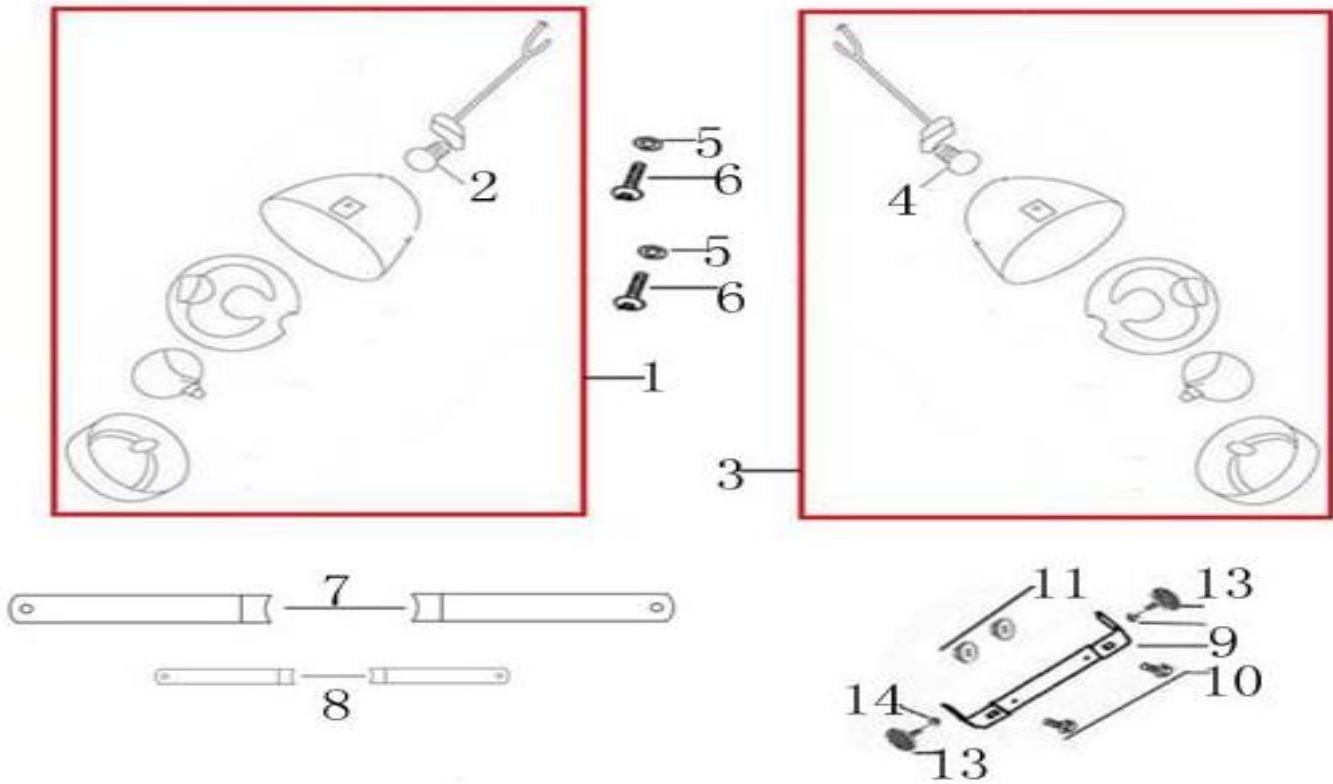


Diagram Number	Part Number	Description	Qty
1	33400-B08-9000	WINKER ASSY R FR	1
2	34905-B08-9000	BULB WINKER 12V10W	1
Not Shown	33402-B08-9000	LENS R FR WINKER	1
Not Shown	33403-B08-9000	BASE R FR WINKER	1
Not Shown	33411-B08-9000	SOCKET COMP L FR WINKER	1
3	33450-B08-9000	WINKER ASSY L FR	1
4	34905-B08-9000	BULB WINKER 12V10W	1
Not Shown	33452-B08-9000	LENS L FR WINKER	1
Not Shown	33453-B08-9000	BASE L FR WINKER	1
Not Shown	33461-B08-9000	SOCKET COMP L FR WINKER	1
5	95801-05000-03	WANSHWE 5MM	2
6	93201-05012-03	SCREW PAN 5*12 (G)	2
7	33420-KY-9000	MOUNT - LARGE	2
8	94591-17500	MOUNT - SMALL	2
9	84707-JKC-9000-BTL	UNDER NUMBER BRKT RR	1
10	92101-06016-03	BOLT FLANGE 6*16 (G)	2
11	95201-06000-03	NUT FLANGE 6MM (G)	2
13	33742-F8-E000	REFLEX REFLECTOR	2
14	95101-06000-03	NUT FLANGE 6MM(G)	2